

Remote controller

GENERAL INFORMATION

This remote controller is designed for 3-speed ceiling fan to separately control your ceiling fan speed and light switch
There are four buttons (HI, MED, LOW, OFF) to control the speed of the fan and off.
The light button will control the light on/off.
The red indicator on the transmitter will light when one of the five buttons is pressed.
Not recommended for use with hugger style fans.

INSTRUCTION OF INSTALLATION AND OPERATION

1. INSTALLING RECEIVER IN CEILING FAN

A. Safety precautions:

WARNING: HIGH VOLTAGE! Disconnect power by removing fuse or switching off circuit breaker.
Do not use with solid state fans.
Electrical wire must meet all local and national electrical code requirements.
Supply for fan must be 110/120 volt, 60Hz. Maximum fan motor amps: 1.0, Maximum light watts: 300 dimmable LED or incandescent only.
Otherwise power can cause serious injury or death.

B. Installing receiver in fan:

- a. Remove power from the circuit.
- b. Remove ceiling fan canopy from the mounting bracket.
- c. Disconnect existing wiring between ceiling fan and Supply in electrical junction box.
- d. Make connections as follows, using the wire nuts supplied:

Note:Compatible with incandescent light bulbs and dimmable LED/CFL lamps, other LED/CFL lamps only support ON ans OFF function.

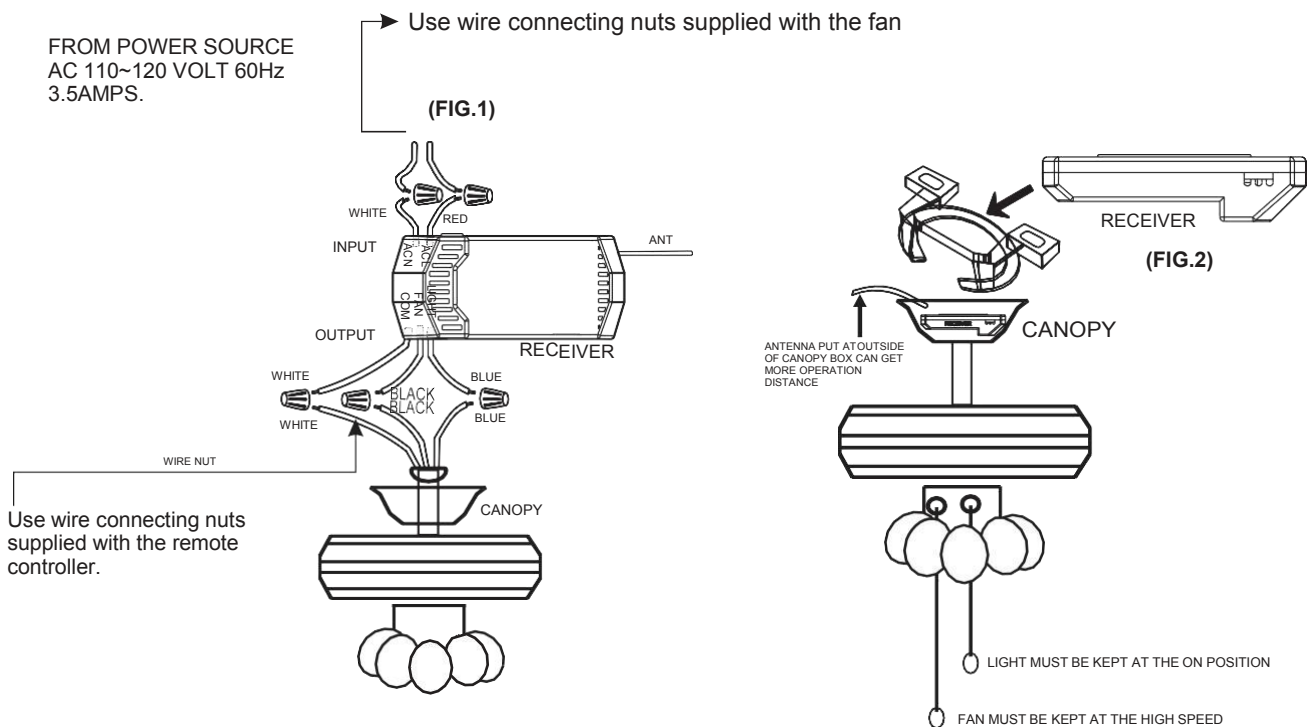
Transmitter Model: **RC-53T1**

Receiver Model: **RC-37R**

CAUTION: Ceiling Angle Shall Not Exceed 30 Degrees, For Mounting Controller

CONNECT TO

Red receiver wire(AC IN L)..... Red supply wire (AC L)
White receiver wire(AC IN N)..... White supply wire (AC N)
White receiver wire(TO MOTOR N).....Com (FAN/LIGHT N) wire
Black receiver wire(TO MOTOR L)..... Fan wire
Blue receiver wire(TO LIGHT L)..... Light wire



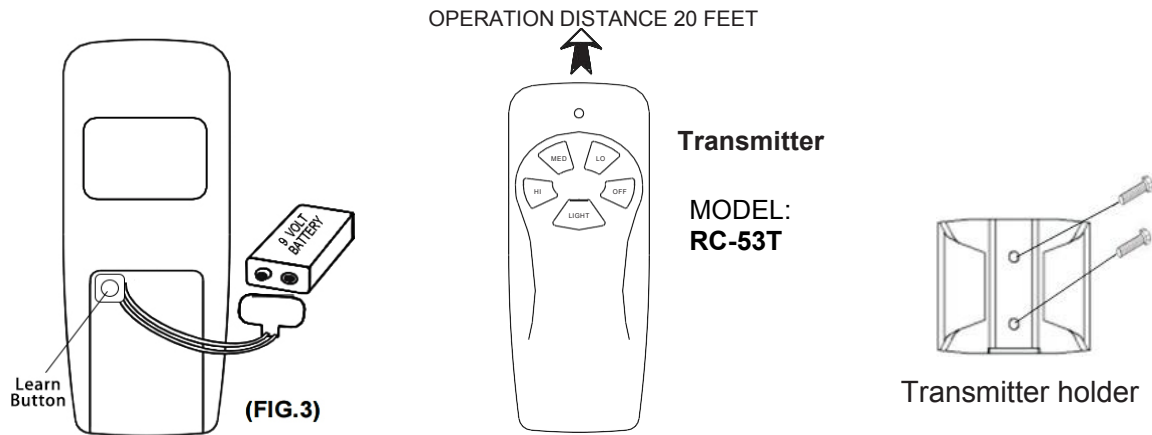
- e. Push all connected wires up into junction box.
- f. Lay the brown antenna wire on top of the receiver, and put the receiver into the mounting bracket.g.
- Reinstall the canopy on the mounting bracket.
- h. Restore power.

If other fans or supply wires are different color, have this unit installed by qualified licensed electrician.

YOUR REMOTE NOW HAS FULL CONTROL OF THE FAN AND LIGHT.

2. Learning Mode

Make "Learn function setting", Restore power source to your fan, press and hold the "LEARN" button for about 4 seconds until light flashes (If the fan installed with a light. For fans without light, check operation using remote transmitter). Your remote controller is ready to operate the fan. You must press the "LEARN" button within 1 minute of restoring power to the fan. (Fig.3)



"Optional Wall Mounting for Transmitter Holder"

Place in accessible area of your home, and screw the transmitter holder into wall using the two screws provided, slide hand unit into holder.

4. TROUBLE SHOOTING GUIDE

1. Fails to operate
 - a. Power to receiver ?
 - b. Receiver wired correctly ?
 - c. Fan manual speed control in highest position ?
 - d. Good battery in the transmitter ?
 - e. Code set at exact same positions in both transmitter and receiver ?
2. Won' t operate at distance

If transmitter operates fan/light kit when up close, but not at 20 feet away.
Try placing the brown antenna wire higher, up through ceiling/outside the junction box.

NOTICE !

Your ceiling fan and light kit assembly must meet the following requirements:

1. Do not use with solid state fans.
2. Electrical rating: 120v 60Hz 3.5A
MAX. Motor amps: 1.0
MAX. Light watts: 300-(dimnable LED or incandescent only)

WARNING

TO REDUCE THE RISK OF SHOCK, THE POWER MUST BE DISCONNECTED DURING INSTALLATION.

For help, please contact Replacement Remotes customer support of the store you purchased, or mail to:

Support@ceilingfanremote.com.